

LEDB SET FOR HALF-DUPLEX MODE

All resistors are 1% tolerance unless otherwise specified.

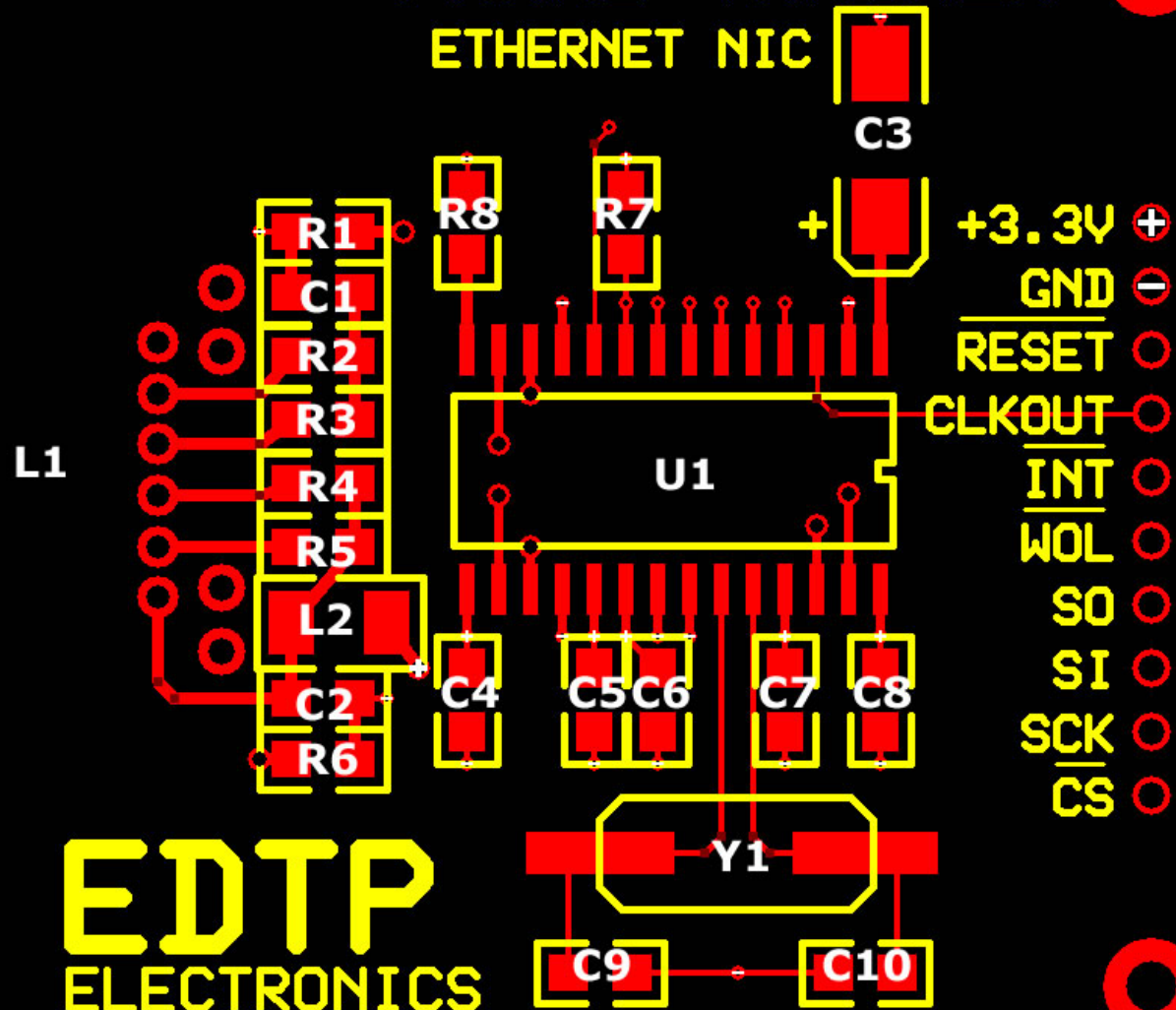
EDTP ELECTRONICS FRAME THROWER

050908 AND 051228

COPYRIGHT EDTP ELECTRONICS INC. 2005

FRAME THROWER

ETHERNET NIC



EDTP
ELECTRONICS

